
Repair Instructions - Incubator Omron Controller Replacement



To suit: TI, TRI, TWB - 360,520, 1100

Approvals		
Written By:	Reviewed By:	Approved By:
Darren Assey	Duncan Smeaton	Duncan Smeaton

Safety Reminder

Before commencing any repair work on an electrical product, please check your local state/territory legislation in regards to suitable licencing/competences required to perform such work.

These instructions do not purport to address all potential safety issues, if any, associated with the product's use. It is the responsibility of the user of these instructions to establish appropriate safety and health practices and determine the applicability of regulatory limitations before use.

Before attempting any of the following, perform the actions listed below:

- Turn OFF power to the machine.
- Unplug the machine.

Summary

These instructions how to replace the Omron controller in a TI, TRI or TWB 360,520 or 1100 cabinet.

Tools Required	
Medium Philips Head Screw Driver	
Small Flat Head screw driver	

Kit Contents		
Item	Description	Quantity
61612	Omrron Conrtroller	1

Section 1: Preparation

Turn off the power and remove the plug from the outlet. To access the controller you will need to remove the top panel. In some cases you will need a safety step or step ladder to be able to remove this panel safely.



Slide the panel up which will free it from the locating blocks on the cabinet.

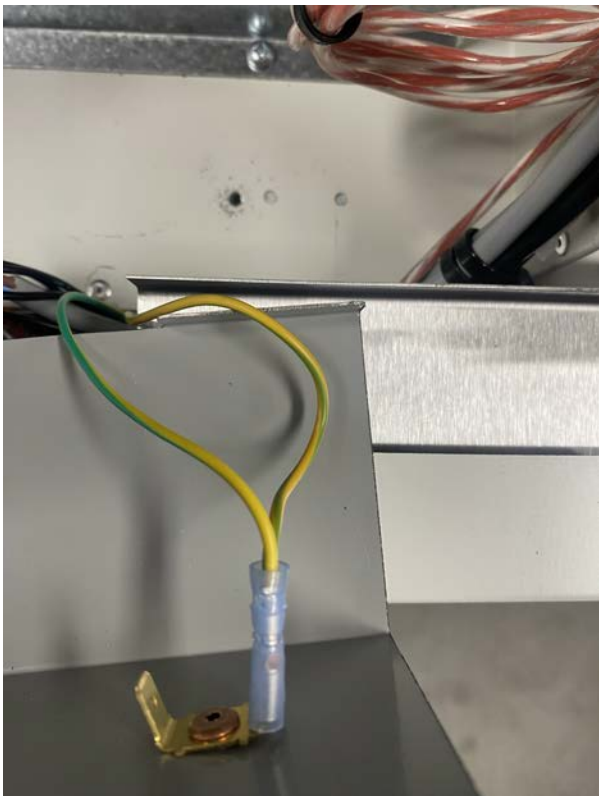


Pull the panel forward free of the blocks. This will allow you to access the controller

Section 2: Remove the controller



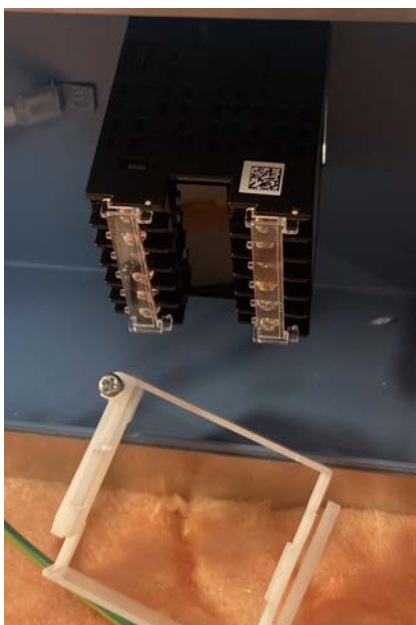
First remove the two screws holding the finger plate in place. Put this to one side leaving the earth wire attached. This will allow access to the rear of the Omron E5CC controller.



Disconnect the wires at the back of the controller, noting where each wire is located. Please note the included electrical diagram for wire connection locations.



Once the wires have been removed, loosen the screws holding the white controller fixing bracket in place. The screws don't need to be completely removed from the bracket. Once loosened slide the bracket off. Once the bracket has been removed from the controller you can slide the controller out through the front face plate.



Section 3: Installation the new Omron Controller

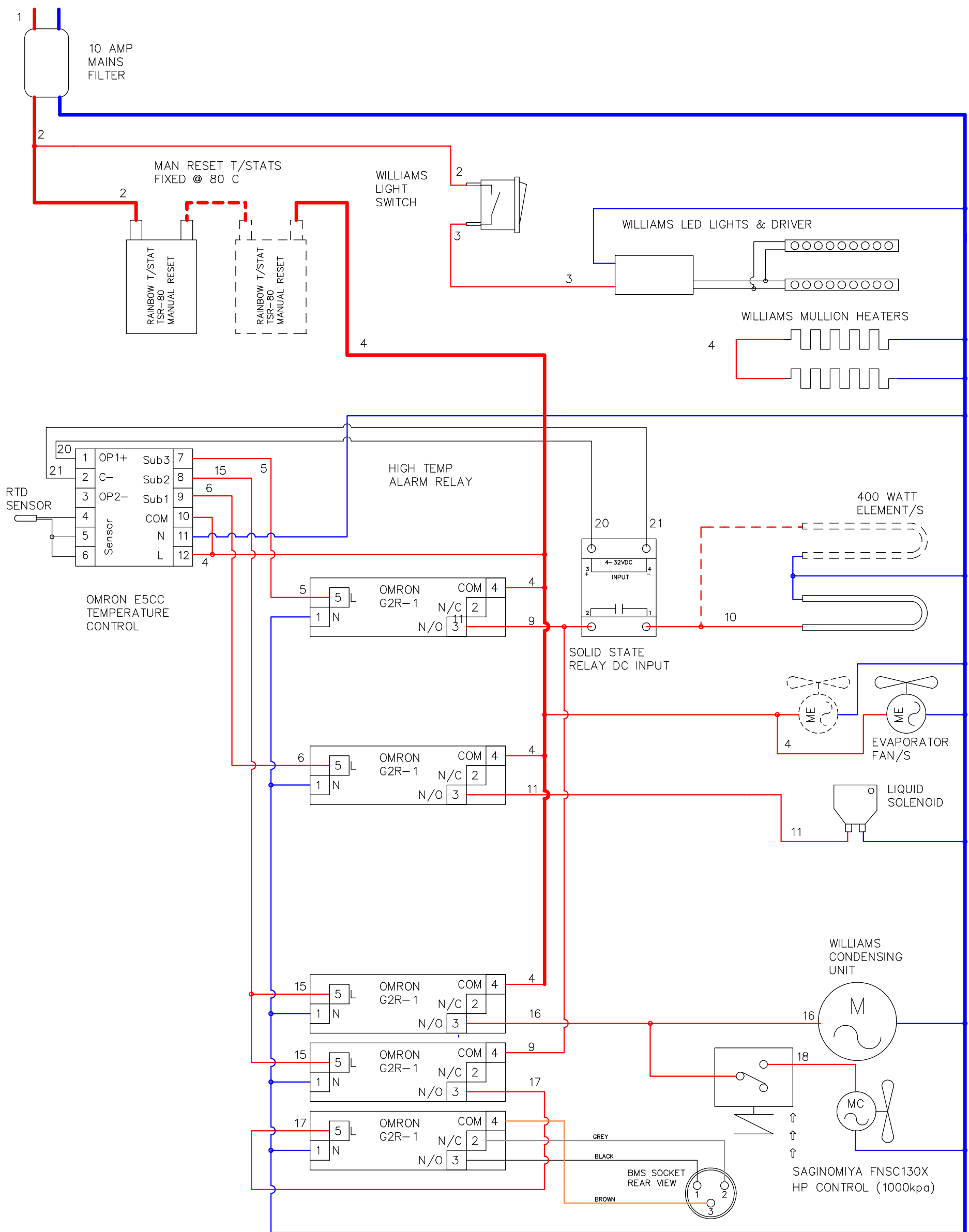


Slide the new controller into the front panel of the incubator.

Replace the white fixing bracket and tighten the screws to hold the controller firmly in place.

Attach the wiring as per the included wiring diagram. Put the finger guard back into place and fix with the two screws removed earlier.





NOTE: COMPONENTS IN DOTTED LINES ARE TRI-1100 MODEL ONLY.
 7-CORE FLEX FROM BOX TO FRONT CONTROL:
 1 = NEUTRAL
 2 = 2 LIGHT SWITCH COMMON
 3 = 15 LOW ALARM RELAY
 4 = 4 ACTIVE
 5 = 5 HIGH ALARM RELAY
 6 = 6 SOLENOID RELAY
 E = EARTH

2-CORE FLEX FROM BOX TO FRONT CONTROL:
 20 = SSR +Ve
 21 = SSR -Ve

REFRIGERATED INCUBATORS	09-07-21: Fitted Head Pressure Control.
MODELS: TRI-360, TRI-520 & TRI-1100	01-04-20: Changed to Omron G2R Relays.
DRAWING NO: TRI-360, TRI 520 & 1100-ELEC	10-12-19: Changed BMS Socket
DESCRIPTION: WIRING DIAGRAM FOR WILLIAMS REFRIGERATED INCUBATORS	06-11-18: Disconnection of Mullion Heater.
ISSUE DATE: 09-07-21	6-10-17: Suppressors on relay coils, changes to wire numbers.



With the finger guard now in place, you can reinstall the front panel. Place the panel slightly above its final position matching the rectangular holes with the locating blocks.



Push the panel forward onto the blocks then slide it down to lock into place.

The panel should now be in place and even on all edges.



Section 4: Power ON

Plug the cabinet back in and turn on the power. Before using the incubator please make sure that it is tested and does not need further calibration.

Section 5: Support and Contact

Repair and Support is available over the telephone Monday through Thursday from 8:30am to 4pm and Friday 8:30am to 2pm. Please contact service@thermoline.com.au for email technical support. You can also visit our website at www.thermoline.com.au for access to additional useful troubleshooting guides, operating manuals, and technical information.

Thermoline Scientific Equipment
10-12 Ross Place
Wetherill Park NSW 2164
Ph: 02 9604 3911
Email: hello@thermoline.com.au
Web: www.thermoline.com.au

